



# Vehicle History Report

## VEHICLE DETAILS

**Chassis number <sup>1</sup>:** RC1-1030845

**Manufacture date:** 2014-04-15

**Make:** HONDA

**Model:** ODYSSEY

**Body:** DBA-RC1

**Grade:** ABSOLUTE

**Engine:** K24W

**Drive:** 2WD

**Transmission:** AT

**Title information <sup>2</sup>:**



**Deregistered to Export**



**Accident / Repair:**



**No problem**



**Odometer rollback:**



**No problem**



**Manufacturer recall:**



**No problem**



**Safety grade <sup>3</sup>:**



**★★★★★**



**Contamination risk:**



**No problem**



**This vehicle does not qualify for Buyback Guarantee**

**Average Market Price**



Unfortunately, this vehicle does not qualify for our Buyback Guarantee program.



**¥0**

[About Buyback Guarantee](#)

This CAR VX Vehicle History Report is based only on Information supplied to CAR VX, LTD and available as of 2024-11-07 02:30:35. Other information about this vehicle, including problems, may not have been reported to CAR VX, LTD . Use this report as one important tool, along with a vehicle inspection and test drive, to make a better decision about your next used car.

## ACCIDENT / REPAIR HISTORY

Problem type	Reported	Date reported	Data source	Details	Airbag
Collision	✔ Not reported				
Malfunction	✔ Not reported				
Theft	✔ Not reported				
Fire damage	✔ Not reported				
Water damage	✔ Not reported				
Hail damage	✔ Not reported				

## ODOMETER READINGS HISTORY

Date reported	Data source	Odometer reading (Km)
2022-03-15	MLIT	81600
2024-03-08	MLIT	89500
2024-10-24	USS Tokyo	92201


## USE HISTORY

<b>Use in the contaminated regions <sup>4</sup></b>	<b>Radioactive contamination test fail <sup>5</sup></b>	<b>Commercial use</b>
✔ Not reported	✔ Not reported	✔ Not reported

## DETAILED HISTORY

Event date	Location	Odometer reading (Km)	Data source	Details
2014-04-15			HONDA	Manufactured
2014-12			MLIT	First registration
2022-03-15		81600	MLIT	Inspection
2024-03-08	Yokohama	89500	MLIT	Inspection
2024-10-24	Chiba	92201	USS Tokyo	Auctioned

## MANUFACTURER RECALL HISTORY

Date reported	Data source	Affected part	Details
 Not reported			

## VEHICLE ASSESSMENT <sup>6</sup>

### Overall Collision Safety Ratings

Driver's seat			Front passenger's seat		
Points	Evaluation	Goal average	Points	Evaluation	Goal average
32.88	★★★★★	91%	23.22	★★★★★	97%

\* In order to accurately differentiate between the evaluations of different vehicles, a standard is set based on current technology. Up to 6 points out of 12 is given level 1 and the rest of the range is divided up into equal parts, which are respectively assigned to level 2 (more than 6 points but 7.5 or less), level 3 (more than 7.5 points but 9 or less), level 4 (more than 9 points but 10.5 or less) or level 5 (more than 10.5 points).

### Braking performance tests <sup>7</sup>

Dry road



40.1 m

Wet road



43.1 m

## VEHICLE SPECIFICATION

1st gear ratio

2.645 ~ 0.405

2nd gear ratio

3rd gear ratio

4th gear ratio

5th gear ratio

6th gear ratio

Additional notes

Airbag position,  
capacity

Body rear overhang

Body type

MV&amp;1BOX

<b>Chassis number embossing position</b>		<b>Classification code</b>	44
<b>Cylinders</b>	4	<b>Displacement</b>	2350
<b>Electric engine type</b>		<b>Electric engine maximum output</b>	
<b>Electric engine maximum torque</b>		<b>Electric engine power</b>	
<b>Engine maximum power</b>	190ps(140kW)/6400rpm	<b>Engine maximum torque</b>	24.2kg·m(237N·m)/4000rpm
<b>Engine model</b>	K24W	<b>Frame type</b>	
<b>Front shaft weight</b>	1000	<b>Front shock absorber type</b>	
<b>Front stabilizer type</b>		<b>Front tires size</b>	215/55R17 94V
<b>Front tread</b>	1560	<b>Fuel consumption</b>	
<b>Fuel tank equipment</b>	55	<b>Grade</b>	ABSOLUTE
<b>Height</b>	168	<b>Length</b>	483
<b>Main brakes type</b>		<b>Make</b>	HONDA
<b>Maximum speed</b>		<b>Minimum ground clearance</b>	
<b>Minimum turning radius</b>	5.4	<b>Model</b>	ODYSSEY
<b>Model code</b>	DBA-RC1	<b>Mufflers number</b>	
<b>Rear shaft weight</b>	820	<b>Rear shock absorber type</b>	
<b>Rear stabilizer type</b>		<b>Rear tires size</b>	215/55R17 94V
<b>Rear tread</b>	1560	<b>Reverse ratio</b>	1.858 ~ 1.264
<b>Riding capacity</b>	7	<b>Side brakes type</b>	
<b>Specification code</b>	17637	<b>Stopping distance</b>	
<b>Transmission type</b>	AT	<b>Weight</b>	1820
<b>Wheel alignment</b>	2WD	<b>Wheelbase</b>	2900
<b>Width</b>	182		

**Date: 2024-10-24, Auction: USS Tokyo, Lot #: 25986**

Date:	2024-10-24	Lot #:	25986
Auction name:	<a href="#">USS Tokyo</a>	Region:	Chiba
Make:	HONDA	Model:	ODYSSEY
Reg. year:	2014	Mileage (km):	92201
Displacement (cc):	2400	Transmission:	IA
Color:	BLACK	Model code:	RC1
Result:	available	Auction grade:	4
Problem type:	No problem	Problem scale:	None
Contaminated:	No	Airbag:	OK

**PHOTOS AND AUCTION SHEETS**

# プライムコーナー

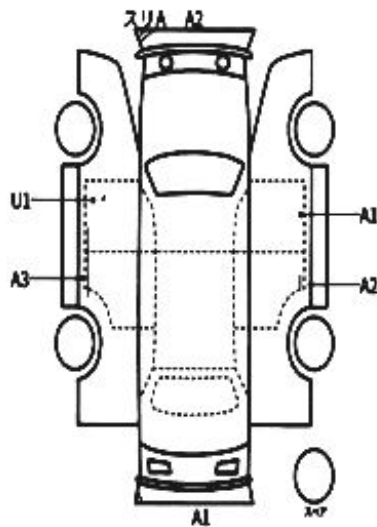
25986	車種 (車検用には記入)	排気量	型式	4
		2400	DBA-RC1	
	初年度登録年月 H26/12月	車名 ホンダ オデッセイ	グレード 5D アブソルート	駆動 2WD
				内装 B

車検 R 8年 3月 14日	シフト IAT	特仕車	SR (有)	PS (有)	PI (有)
走行 92,201 km	冷房 AAC	カワ	TV	ナビ	エアロ
外色 元色 色番 クロ -	カラーコード NH731P	セールスポイント			
燃料 ガソリン	内装色	<input type="checkbox"/> ユーザー買取!! <input type="checkbox"/> ALPINEフリップダウンモニター!! <input type="checkbox"/> 7人乗り!! <input type="checkbox"/> 両側パワースライドドア!! <input type="checkbox"/> 純正ナビ!! <input type="checkbox"/> バックモニター!! <input type="checkbox"/> 合皮ハーフレザーシート!!			
型式	輸入区分	ハンドル	新車検印字車 (車検時付) <input checked="" type="checkbox"/> 有 ※車検と一緒に更新下さい 重量登録有効期限 月 日		

リサイクル 買取金	14,420円	乗車定員	7人	登録No	柏 300 ち 9610
○注意事項 (仕様・不具合等による付随物)				車台No	RC1-1030845
				シリアルNo	

## ○検査員報告

DWSW S/W一部不良  
 ハンドルスレ ハゲ  
 Dミラーキズ  
 ホイール割れ  
 各キズ凹



開台内寸約	x	x	(cm)
長さ	cm	幅	高さ cm

**<sup>1</sup> Chassis number** – a unique identification number of the vehicle in Japan (same as VIN in the USA or Europe)

**<sup>2</sup> Title information:**

Registered – qualified for driving in Japan

Deregistered Temporarily – not qualified for driving in Japan, usually a temporary title during the ownership change

Deregistered Completely – not qualified for driving in Japan, the vehicle is determined to be scrapped

Deregistered to Export – not qualified for driving in Japan, the vehicle is determined to be exported

**<sup>3</sup> Determining the overall collision safety performance evaluation** – For the driver's seat, the results of the full-wrap frontal collision test, offset frontal collision test, and side collision test are added together and evaluated to 6 different levels. For the Frontal passenger's seat, the results of the full-wrap frontal collision test and the side collision test (results for the driver's or the front passenger's seat are used) are added together and evaluated to 6 different levels.

Regular vehicle inspection – All vehicles in Japan must undergo regular vehicle inspections (shaken). New cars need to be tested after three years, and then vehicles must be tested every two years thereafter. A vehicle inspection (shaken) is compulsory for all vehicles with an engine size over 250cc. It ensures that all vehicles on the road are properly maintained and safe to drive. The test also checks that vehicles have not been illegally modified; if they are found to have been modified, they are not allowed on the road.

**<sup>4</sup> Use in the contaminated regions** – The Fukushima Daiichi nuclear disaster was a catastrophic failure at the Fukushima I Nuclear Power Plant on 11 March 2011, resulting in a meltdown of three of the plant's six nuclear reactors. As a result, some areas in the following prefectures were contaminated: Fukushima, Miyagi, Ibaraki, Tochigi.

**<sup>5</sup> Radioactive contamination test** – radioactive contamination inspection that was started in July 2011 as a preventive measure for exporting contaminated vehicles from Japan. The inspection is being conducted since in all sea ports of Japan under the supervision of The Japan Harbor Transportation Association (JHTA).

MLIT – Ministry of Land, Infrastructure, Transport and Tourism.

**<sup>6</sup> Japan New Car Assessment Program** – the Ministry of Land, Infrastructure, Transport and Tourism (MLIT) and the National Agency for Automotive Safety & Victims' Aid (NASVA) have taken measures for safety, one of which is to assess commercially available vehicles through a variety of safety performance tests and release the resulting information compiled into the "New Car Assessment Program". The objective of Japan New Car Assessment Program is to increase the use of safe automobiles by providing an environment in which users can easily select such vehicles. This also promotes the development of safer vehicles by automobile manufacturers. Neck injury protection for rear-end collision performance test, rear seat passenger's protection for frontal collision performance test, rear passenger's seat belt usability evaluation test and seat belt reminder for passengers evaluation test are started in FY2009.

**<sup>7</sup> Braking Performance Tests** – Braking performance is determined by the shortness of the distance in which a vehicle can stop and the stability of the vehicle at the time of braking. This test is performed under wet and dry road conditions for a vehicle which has both a driver and a front passenger. The distance it takes for the vehicle to stop and the stability of the vehicle at the time of braking is evaluated for when the vehicle is stopped abruptly while traveling at a speed of 100km/h. The stopping distance and vehicle speed have been measured by using GPS since FY2009.

CAR VX, LTD DEPENDS ON ITS SOURCES FOR THE ACCURACY AND RELIABILITY OF ITS INFORMATION. THEREFORE, NO RESPONSIBILITY IS ASSUMED BY CAR VX, LTD OR ITS AGENTS FOR ERRORS OR OMISSIONS IN THIS REPORT. CAR VX, LTD FURTHER EXPRESSLY DISCLAIMS ALL WARRANTIES, EXPRESS OR IMPLIED, INCLUDING ANY IMPLIED WARRANTIES OF MERCHANTABILITY OR FITNESS FOR A PARTICULAR PURPOSE.

© 2014-2024 Car VX Limited. All rights reserved.