

VEHICLE DETAILS

Chassis number ¹: PE52-003554

Manufacture date: 2010-09

Make: NISSAN

Model: ELGRAND

Body: DBA-PE52

Grade: RIDER BLACK LEATHER SEAT POWER SEAT

Engine: VQ35DE

Drive: 2WD

Transmission: AT

Title information ²:  **Deregistered to Export** 

Accident / Repair:  **No problem** 

Odometer rollback:  **No problem** 

Manufacturer recall:  **No problem** 

Safety grade ³:  **★★★★★** 

Contamination risk:  **No problem** 

This vehicle does not qualify for Buyback Guarantee

Average Market Price



Unfortunately, this vehicle does not qualify for our Buyback Guarantee program.



¥0

[About Buyback Guarantee](#)

This CAR VX Vehicle History Report is based only on Information supplied to CAR VX, LTD and available as of 2024-12-04 03:24:32. Other information about this vehicle, including problems, may not have been reported to CAR VX, LTD . Use this report as one important tool, along with a vehicle inspection and test drive, to make a better decision about your next used car.

ACCIDENT / REPAIR HISTORY

Problem type	Reported	Date reported	Data source	Details	Airbag
Collision	Not reported				
Malfunction	Not reported				
Theft	Not reported				
Fire damage	Not reported				
Water damage	Not reported				
Hail damage	Not reported				

ODOMETER READINGS HISTORY

Date reported	Data source	Odometer reading (Km)
2021-09-21	MLIT	70500
2023-09-28	MLIT	73400
2024-11-14	USS Tokyo	74413


USE HISTORY

Use in the contaminated regions ⁴	Radioactive contamination test fail ⁵	Commercial use
Not reported	Not reported	Not reported

DETAILED HISTORY

Event date	Location	Odometer reading (Km)	Data source	Details
2010-09			NISSAN	Manufactured
2010-10			MLIT	First registration
2021-09-21		70500	MLIT	Inspection
2023-09-28	Yokohama	73400	MLIT	Inspection
2024-11-14	Chiba	74413	USS Tokyo	Auctioned

MANUFACTURER RECALL HISTORY

Date reported	Data source	Affected part	Details
 Not reported			

VEHICLE ASSESSMENT ⁶

Overall Collision Safety Ratings

Driver's seat			Front passenger's seat		
Points	Evaluation	Goal average	Points	Evaluation	Goal average
35.37	★★★★★	98%	23.33	★★★★★	97%

* In order to accurately differentiate between the evaluations of different vehicles, a standard is set based on current technology. Up to 6 points out of 12 is given level 1 and the rest of the range is divided up into equal parts, which are respectively assigned to level 2 (more than 6 points but 7.5 or less), level 3 (more than 7.5 points but 9 or less), level 4 (more than 9 points but 10.5 or less) or level 5 (more than 10.5 points).

Braking performance tests ⁷

Dry road



40.5 m

Wet road



43.4 m

VEHICLE SPECIFICATION

1st gear ratio

2nd gear ratio

3rd gear ratio

4th gear ratio

5th gear ratio

6th gear ratio

Additional notes

Airbag position,
capacity

Body rear overhang

Body type

MV&1BOX

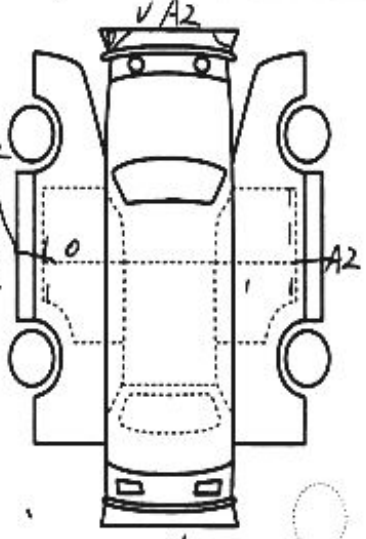
Chassis number embossing position		Classification code	
Cylinders		Displacement	3490
Electric engine type		Electric engine maximum output	
Electric engine maximum torque		Electric engine power	
Engine maximum power	280ps(206kW)/6400rpm	Engine maximum torque	35.1kg· m(344N· m)/4400rpm
Engine model	VQ35DE	Frame type	
Front shaft weight	1110	Front shock absorber type	
Front stabilizer type		Front tires size	225/55R18 98V
Front tread	1600	Fuel consumption	
Fuel tank equipment	74	Grade	RIDER BLACK LEATHER SEAT POWER SEAT
Height	181	Length	498
Main brakes type		Make	NISSAN
Maximum speed		Minimum ground clearance	
Minimum turning radius	5.7	Model	ELGRAND
Model code	DBA-PE52	Mufflers number	
Rear shaft weight	920	Rear shock absorber type	
Rear stabilizer type		Rear tires size	225/55R18 98V
Rear tread	1600	Reverse ratio	
Riding capacity	7	Side brakes type	
Specification code		Stopping distance	
Transmission type	AT	Weight	2010
Wheel alignment	2WD	Wheelbase	3000
Width	185		

Date:	2024-11-14	Lot #:	26005
Auction name:	USS Tokyo	Region:	Chiba
Make:	NISSAN	Model:	ELGRAND
Reg. year:	2010	Mileage (km):	74413
Displacement (cc):	3500	Transmission:	AT
Color:	BLACK	Model code:	PE52
Result:	available	Auction grade:	4
Problem type:	No problem	Problem scale:	None
Contaminated:	No	Airbag:	OK

PHOTOS AND AUCTION SHEETS

プライムコーナー

26005	車歴 (車検以外は記入)	排気量	型式	評価点
		3500	DBA-PE52	
	初年度年/月	車名	グレード	4
	22/10	エルグランド	ライト	
			2WD	内装
			4WD	
車検	R7年 10月	シフト	AT	
走行	74413 Km	冷房	AAC	
外色	70-	カラー	GAE	
燃料	ガソリン	内装色		
輸入車		ディーラー	並行	
リサイクル	16190円	乗車定員	7人	
登録地		成田	330	911
車台		PE52-003554		
シリアル				
<p>◎注意事項 (修理・不具合箇所および状態等)</p> <p>◎2-下買取車!! ◎両側LEDヘッドライト</p> <p>◎黒シート&Pシート ◎シートヒーター</p> <p>◎インテリジェントアシスト ◎17インチホイール</p> <p>◎和製H&Wアウター ◎チロリH ◎P&S</p> <p>◎検査員報告 (USS使用欄)</p> <p>※記録員 H24/11/19/RS/RY/RZ/RV/RW</p> <p>(保証書) 取説・取扱・スター</p> <p>※車検 5-CIS・ロックナット</p>				
ハンドル		A1		
シート		A2		
ドア		A2		
フロア		A1		
リア		A1		
フロント		A1		
エンジン		A1		
トランスミッション		A1		
サスペンション		A1		
ブレーキ		A1		
ステアリング		A1		
その他		A1		



¹ Chassis number – a unique identification number of the vehicle in Japan (same as VIN in the USA or Europe)

² Title information:

Registered – qualified for driving in Japan

Deregistered Temporarily – not qualified for driving in Japan, usually a temporary title during the ownership change

Deregistered Completely – not qualified for driving in Japan, the vehicle is determined to be scrapped

Deregistered to Export – not qualified for driving in Japan, the vehicle is determined to be exported

³ Determining the overall collision safety performance evaluation – For the driver's seat, the results of the full-wrap frontal collision test, offset frontal collision test, and side collision test are added together and evaluated to 6 different levels. For the Frontal passenger's seat, the results of the full-wrap frontal collision test and the side collision test (results for the driver's or the front passenger's seat are used) are added together and evaluated to 6 different levels.

Regular vehicle inspection – All vehicles in Japan must undergo regular vehicle inspections (shaken). New cars need to be tested after three years, and then vehicles must be tested every two years thereafter. A vehicle inspection (shaken) is compulsory for all vehicles with an engine size over 250cc. It ensures that all vehicles on the road are properly maintained and safe to drive. The test also checks that vehicles have not been illegally modified; if they are found to have been modified, they are not allowed on the road.

⁴ Use in the contaminated regions – The Fukushima Daiichi nuclear disaster was a catastrophic failure at the Fukushima I Nuclear Power Plant on 11 March 2011, resulting in a meltdown of three of the plant's six nuclear reactors. As a result, some areas in the following prefectures were contaminated: Fukushima, Miyagi, Ibaraki, Tochigi.

⁵ Radioactive contamination test – radioactive contamination inspection that was started in July 2011 as a preventive measure for exporting contaminated vehicles from Japan. The inspection is being conducted since in all sea ports of Japan under the supervision of The Japan Harbor Transportation Association (JHTA).

MLIT – Ministry of Land, Infrastructure, Transport and Tourism.

⁶ Japan New Car Assessment Program – the Ministry of Land, Infrastructure, Transport and Tourism (MLIT) and the National Agency for Automotive Safety & Victims' Aid (NASVA) have taken measures for safety, one of which is to assess commercially available vehicles through a variety of safety performance tests and release the resulting information compiled into the "New Car Assessment Program". The objective of Japan New Car Assessment Program is to increase the use of safe automobiles by providing an environment in which users can easily select such vehicles. This also promotes the development of safer vehicles by automobile manufacturers. Neck injury protection for rear-end collision performance test, rear seat passenger's protection for frontal collision performance test, rear passenger's seat belt usability evaluation test and seat belt reminder for passengers evaluation test are started in FY2009.

⁷ Braking Performance Tests – Braking performance is determined by the shortness of the distance in which a vehicle can stop and the stability of the vehicle at the time of braking. This test is performed under wet and dry road conditions for a vehicle which has both a driver and a front passenger. The distance it takes for the vehicle to stop and the stability of the vehicle at the time of braking is evaluated for when the vehicle is stopped abruptly while traveling at a speed of 100km/h. The stopping distance and vehicle speed have been measured by using GPS since FY2009.

CAR VX, LTD DEPENDS ON ITS SOURCES FOR THE ACCURACY AND RELIABILITY OF ITS INFORMATION. THEREFORE, NO RESPONSIBILITY IS ASSUMED BY CAR VX, LTD OR ITS AGENTS FOR ERRORS OR OMISSIONS IN THIS REPORT. CAR VX, LTD FURTHER EXPRESSLY DISCLAIMS ALL WARRANTIES, EXPRESS OR IMPLIED, INCLUDING ANY IMPLIED WARRANTIES OF MERCHANTABILITY OR FITNESS FOR A PARTICULAR PURPOSE.

© 2014-2024 Car VX Limited. All rights reserved.